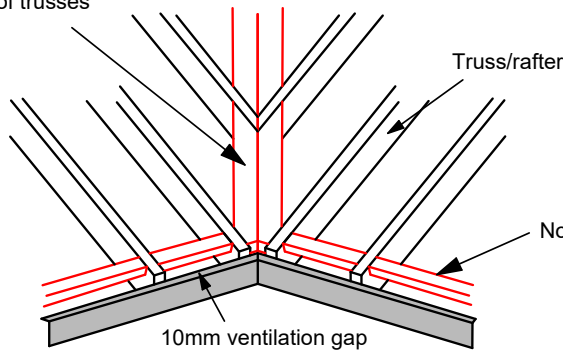
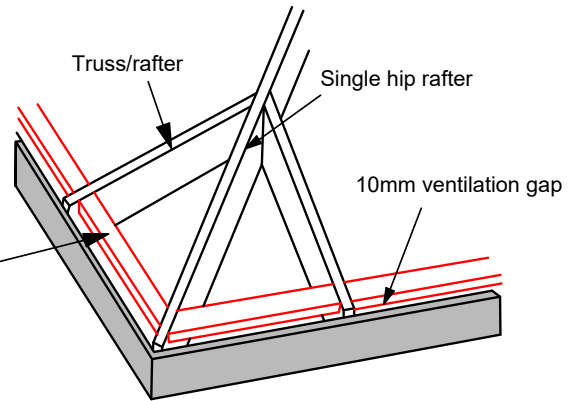


Wall roof intersection

Valley nogs flush with top of trusses

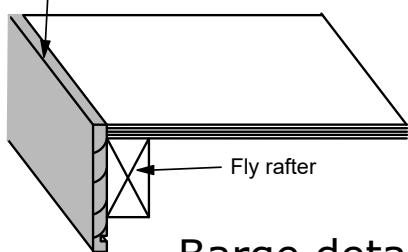


Valley detail

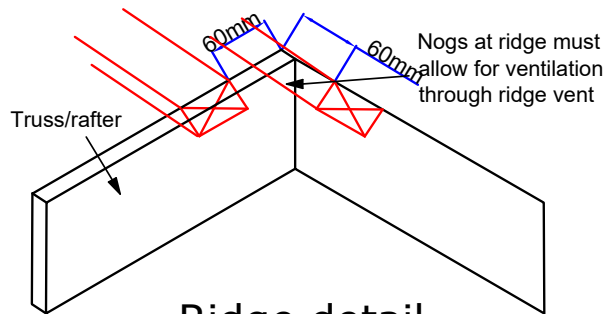


Hip detail

Fascia as per plans



Barge detail



Ridge detail